

»» TWO WORLDS, ONE IDEA

When Germany's KION Group acquired Baoli in 2009, the company recognised that Baoli's strength in manufacturing price-competitive forklift trucks and warehouse equipment was a perfect complement to the product offering of its Linde Material Handling brand.

Today, Baoli operates in over 80 markets around the world and employs over 700 staff at its Jingjiang city plant, where industry-leading components, technologies and production lines – re-modelled by KION and made in Germany – underpin its operational excellence.

In Australia, Baoli's value range is backed by the nationwide service and support network of Linde Material Handling. With 155 qualified mobile technicians, all trained and graded on

Baoli products, and fully equipped workshops and spare part stores in each capital,

Baoli customers enjoy unrivalled service and support.

KION
GROUP



STILL



DEMATIC



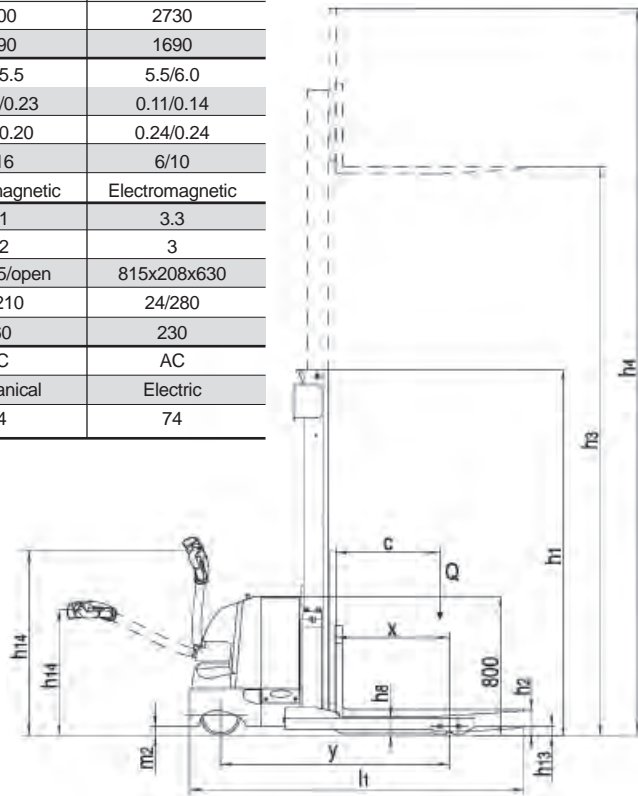
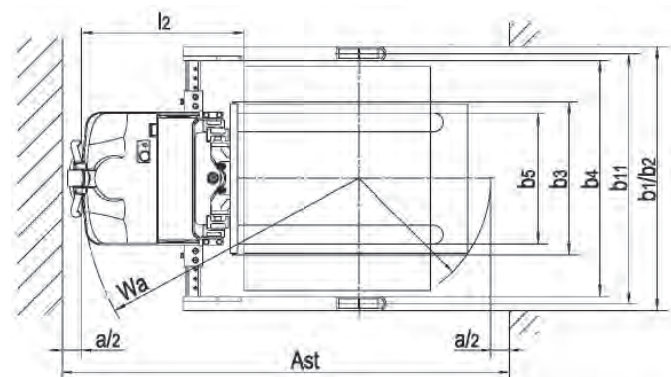
Linde Material Handling Pty Ltd
Australian and New Zealand Network Coverage
Tel: +(61) 2 9831 9500 or 1300 710 810
Email: contact@lindemh.com.au
www.lindemh.com.au / www.baoli-mh.com

ES12 / ER15 Electric Walkie/Reach Stacker



>> Specifications

	Item description	Unit	Design Value	
			ES12-104	ER15-101
Characteristics	1.1 Manufacturer		Baoli	Baoli
	1.2 Model		ES12-104	ER15-101
	1.3 Power Unit		Electric	Electric
	1.4 Operation		Pedestrian	Pedestrian
	1.5 Load capacity / Load	Q (kg)	1200	1500
	1.6 Load centre distance	c (mm)	600	600
	1.8 Axle centre to fork face	x (mm)	520	380
	1.9 Wheelbase	y (mm)	1320	1395
	Weights	2.1 Service weight	(kg)	1150
2.2 Axle load with load, fork advanced, front / rear		(kg)	-	1150/715
2.3 Axle load without load, fork retracted, front / rear		(kg)	665/485	1250/615
2.4 Axle load with load, fork advanced, front / rear		(kg)	-	310/3055
2.5 Axle load without load, fork retracted, front / rear		(kg)	685/1525	1075/2290
Wheels/tyres	3.1 Tyres rubber, SE, pneumatic, polyurethane		PU/PU	PU/PU
	3.2 Tyre size, front		230x75	260x105
	3.3 Tyre size, rear		102x50	102x73
	3.4 Tyre size, caster wheels	(mm)	-	100x73
	3.5 Wheels, number front/rear (x = driven)		1x+0/4	1x+2/4
	3.6 Track width, front	b10	0	0
	3.7 Tread width, rear	b11 (mm)	1120	1000
Dimensions	4.2 Height of mast, lowered	h1 (mm)	2110	2090
	4.3 Free lift	h2 (mm)	150	0
	4.4 Lift	h3 (mm)	3270	3000
	4.5 Height of mast, extended	h4 (mm)	4185	3960
	4.9 Height of drawbar in driving position (min/max)	h14 (mm)	715/1200	1100/1500
	4.10 Height of wheel arms	h6 (mm)	100	135
	4.15 Lowered height	h7 (mm)	60	60
	4.19 Overall length	l1 (mm)	1947	2340
	4.20 Length to fork face	l2 (mm)	877	1270
	4.21 Overall width	b1/b2 (mm)	700/1350	850/1100
	4.22 Fork dimensions DIN ISO 2331	s / e / l (mm)	40/100/1070	40/100/1070
	4.24 Width of fork carriage	b3 (mm)	1080	780
	4.25 Distance between fork-arms	b5 (mm)	200-1050	200-780
	4.26 Distance between wheel arms/loading surfaces	m1 (mm)	85	50
	4.32 Ground clearance, centre of wheelbase	m2 (mm)	40	65
4.34.1 Aisle width for pallets 1000 x 1200 crossways	Ast (mm)	2405	2695	
4.34.2 Aisle width with pallet 800 x 1200 along forks	Ast (mm)	2400	2730	
4.35 Turning radius	Wa (mm)	1490	1690	
Performance	5.1 Travel speed, with / without load	(km/h)	5.0/5.5	5.5/6.0
	5.2 Lifting speed, with / without load	(m/s)	0.127/0.23	0.11/0.14
	5.3 Lowering speed, with / without load	(m/s)	0.26/0.20	0.24/0.24
	5.8 Max. gradeability, with / without load (5 minute)	(%)	8/16	6/10
	5.10 Service brake		Electromagnetic	Electromagnetic
Drive	6.1 Drive motor rating S2 60 min	(kW)	1.1	3.3
	6.2 Lift motor rating at S3 15%	(kW)	2.2	3
	6.3 Maximum allowed size battery	(mm)	650/225/open	815x208x630
	6.4 Battery voltage	(V/Ah)	24/210	24/280
	6.5 Battery weight	(kg)	160	230
Others	8.1 Type of drive unit		AC	AC
	10.5 Steering type		Mechanical	Electric
10.7 Sound pressure level LpAZ (at the driver's seat)	(dB (A))		74	74



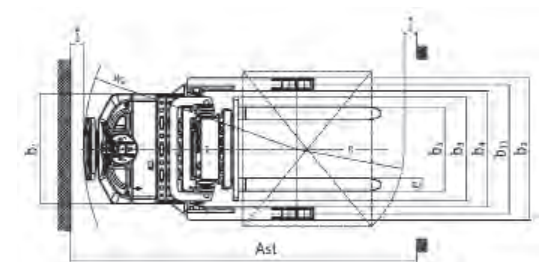
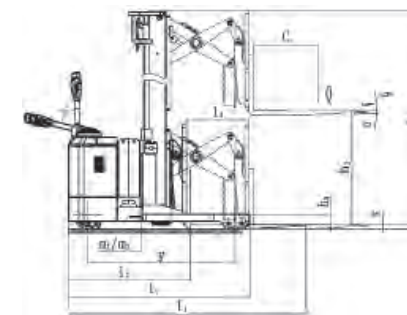
>> Mast Specifications

ES12-104				
Mast type	Lift h3 + H13 (mm)	Lowered mast height h1 (mm)	Free lift h2 (mm)	Extended mast height h4 (mm)
VM Standard wide-view	2970	1960	150	3885
	3270	2110	150	4185
	3570	2260	150	4485
VFHM Full free triplex	4000	1822	904	4915
	4500	2022	1104	5415

ES12-104	
Options	ES12-104
Driving Wheel	Rubber Tyres
Flexiglass Mast Guard	Standard
Lateral Battery Change	Standard
Battery Discharge Indicator with hour meter	Standard
Single Point Watering System	Standard
Electric Brake With Anti-roll Back	Standard
1000mm High Load Backrest	Standard
Battery Capacity	24V 210Ah Industrial Battery
Standard Fork Length	1070mm
Cold Storage Protection (-20°C)	Optional
Orange Colour	Optional

ER15-101				
Mast type	Lift h3 + H13 (mm)	Lowered mast height h1 (mm)	Free lift h2 (mm)	Extended mast height h4 (mm)
VM Standard wide-view	2700	1940	0	3660
	3000	2090	0	3960
VFHM Full free triplex	4000	1960	1000	4955
	4500	2130	1170	5455

ER15-101	
Options	ER15-101
Driving Wheel	Rubber Tyres
Flexiglass Mast Guard	Standard
Electric Power Steering	Standard
Sideshift Carriage	Standard
Battery Discharge Indicator with Hour Meter	Standard
Lateral Battery Change	Standard
Battery Capacity	24V 255Ah Industrial Battery
Single Point Watering System	Standard
Wide Straddle Leg (b1 = 1200mm)	Optional
Cold Storage Protection (-20°C)	Optional
Orange Colour	Optional



NOTE: The performance depicted represents nominal values obtained under typical operating conditions. Performance data may vary due to motor and system efficiency tolerances, and under different working conditions. The description and specifications included on this data sheet were in effect at time of printing. Linde Material Handling Pty Ltd reserves the right to make improvements and changes in specification or design without notice and without incurring obligation.